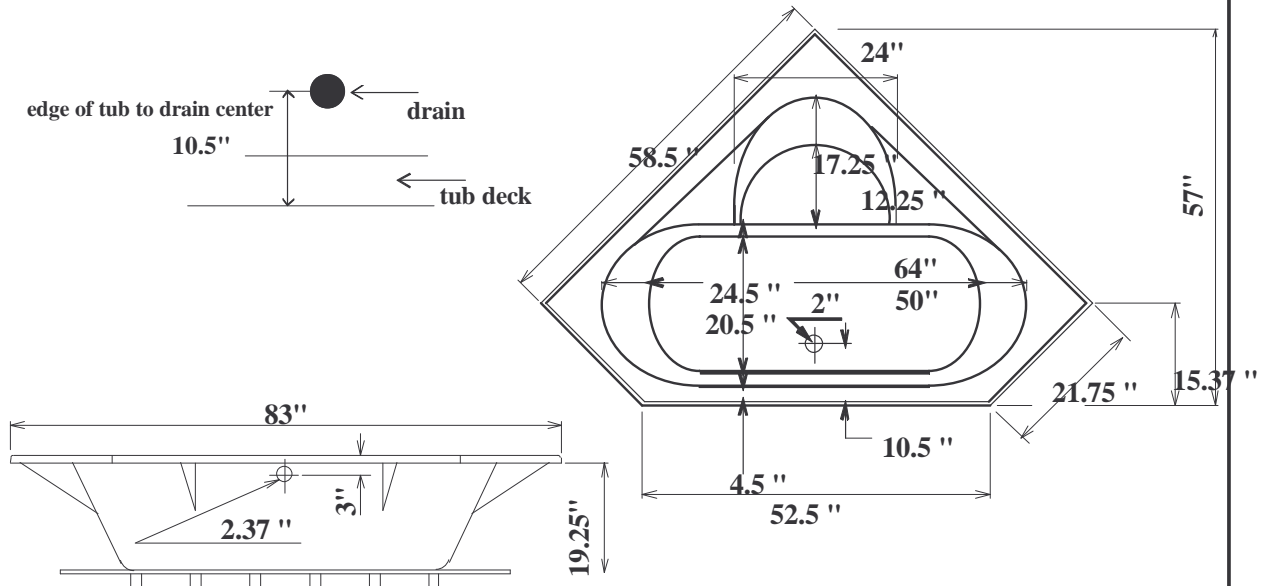
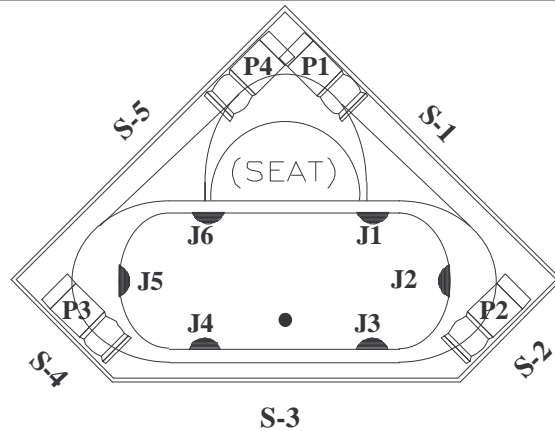
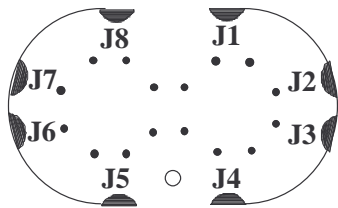


# trajet SPECIFICATIONS

## 5959d Aruba



If tub equipped with Air System Add 1.5" to tub height



Deluxe--1.25 HP Pump, 6 Jets

Ultimate--1.5 HP Pump, 8 Jets, Electronic Control, Mood Light  
Jets are placed two on each side

Air System-- 120v Blower, 16 Air Jets, Electronic control  
Air jets are placed on bottom of tub in figure 8 pattern

If tub equipped with Air System Add 1.5" to tub height

Combo Systems: blower will be placed same side as pump opposite end

45 - 80 Gallon Capacity

Dimensional Variance +/- 1/2 "  
Suggested Pump Access Panel:

20" Long x 12" High



ADJUSTABLE JET

S-1 SIDE IDENTIFICATION



MOTOR/PUMP



Air Jet