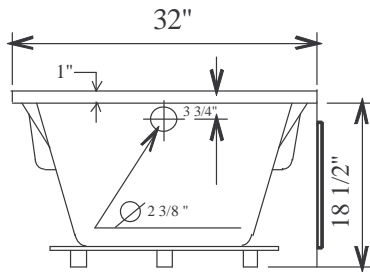
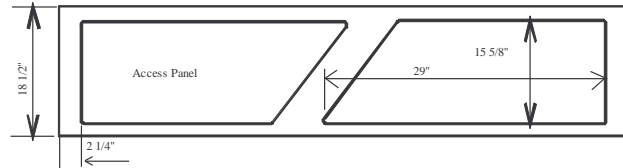
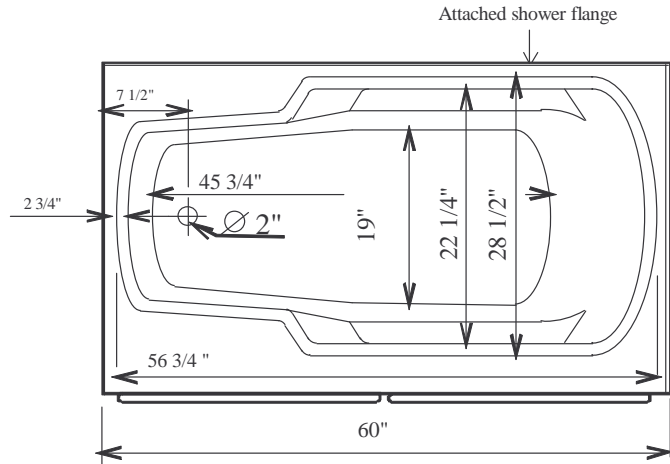


trajet SPECIFICATIONS

Innovatub 6032-I

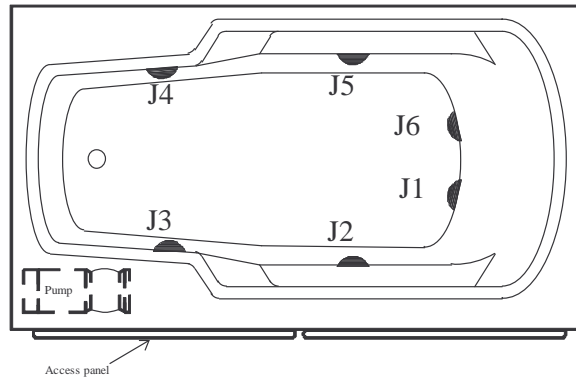


Available in left or right facing models
 Pump located, drain end, same side as skirt.



Deluxe--1.25 HP Pump, 6 Jets

**Ultimate--1.5 HP Pump, 8 Jets,
 Electronic Control, Mood Light**
 Jets are placed two on each side



45 Min. - 65 Max. Gallon Capacity

Dimensional Variance +/- 1/2"
 Suggested Pump Access Panel:
 20" Long x 12" High



MOTOR/PUMP



ADJUSTABLE JET