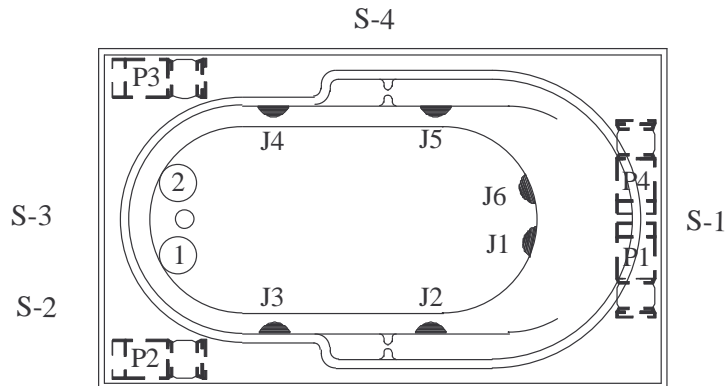
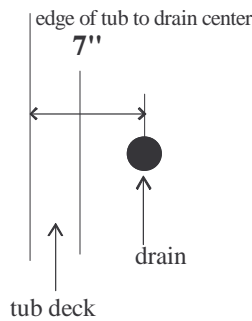
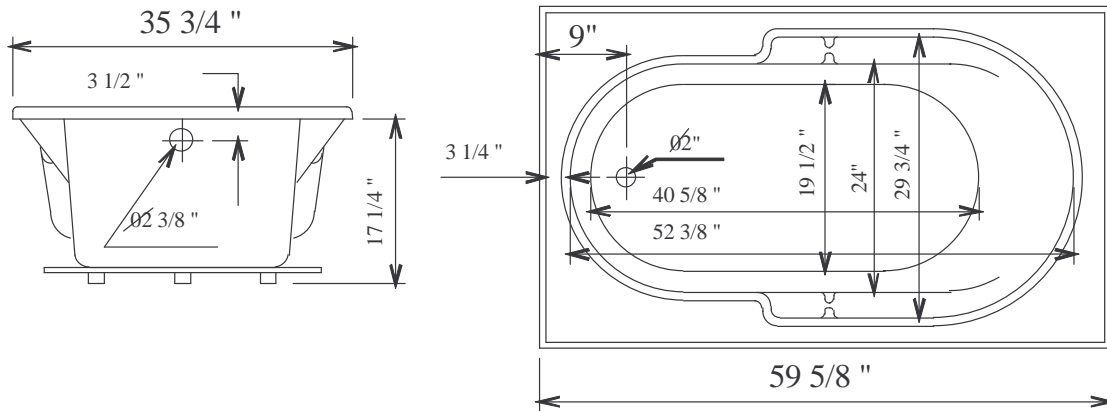


trajet SPECIFICATIONS

CATALINA #6036



Deluxe--1.25 HP Pump, 6 Jets

Ultimate--1.5 HP Pump, 8 Jets, Electronic Control, Mood Light
 Jets are placed two on each side

Air System-- 120v Blower, 16 Air Jets, Electronic control

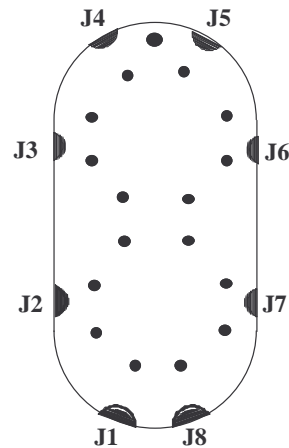
Air jets are placed on bottom of tub in figure 8 pattern

If tub equipped with Air System Add 1.5" to tub height

Combo Systems:

Blower will be placed same side as pump opposite end

45 Min - 60 Max Gallon Capacity



Dimensional Variance +/- 1/2"
 Suggested Pump Access Panel:
 20" Long x 12" High



ADJUSTABLE JET



MOTOR/PUMP



OPTIONAL JET

S-1

SIDE IDENTIFICATION