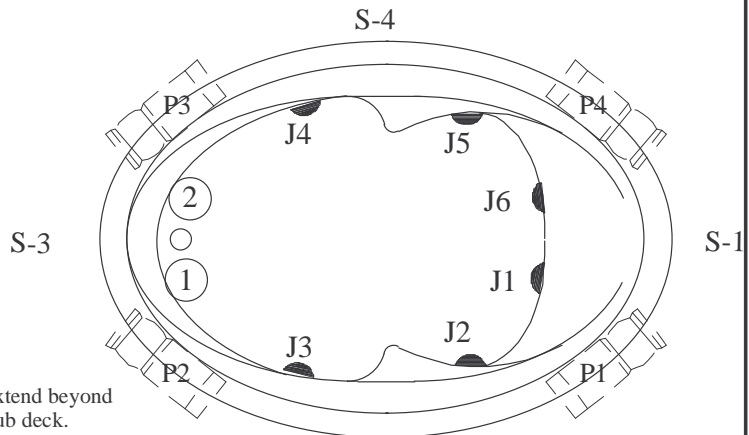
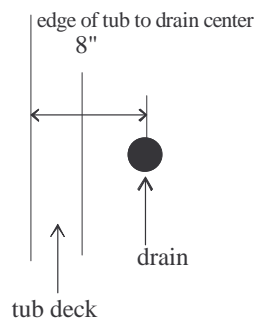
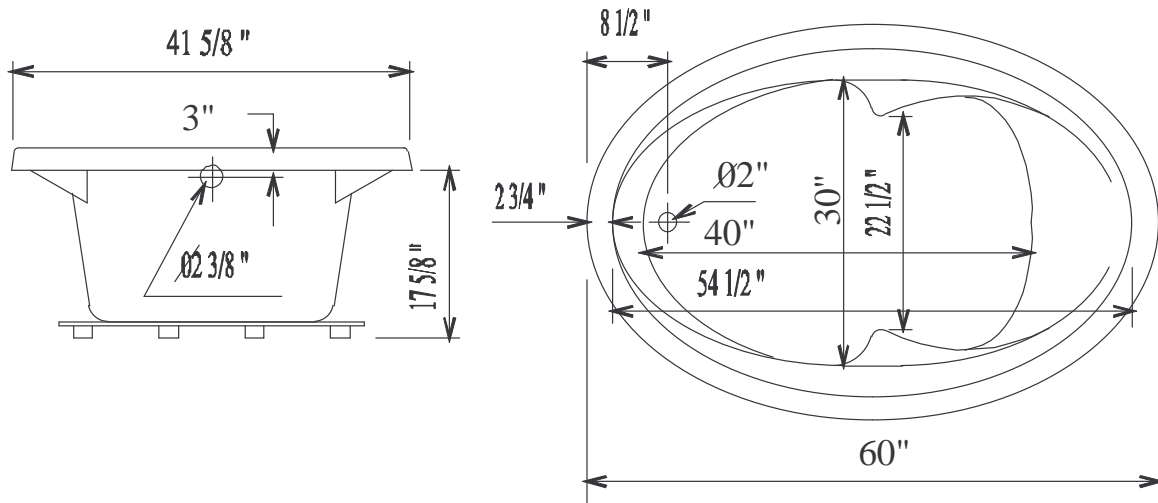


# trajet SPECIFICATIONS

## ST. SUSAN #6041



All pump positions extend beyond the perimeter of the tub deck.

**Deluxe--1.25 HP Pump, 6 Jets**

**Ultimate--1.5 HP Pump, 8 Jets, Electronic Control, Mood Light**  
Jets are placed two on each side

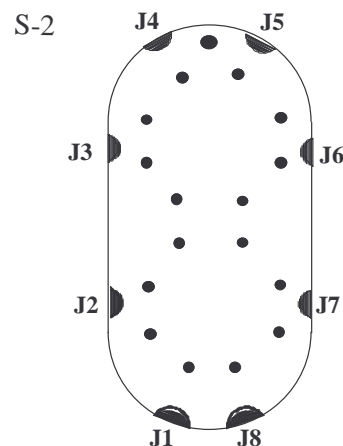
**Air System-- 120v Blower, 16 Air Jets, Electronic control**  
Air jets are placed on bottom of tub in figure 8 pattern

**If tub equipped with Air System Add 1.5" to tub height**

**Combo Systems:**

Blower will be placed same side as pump opposite end

45 Min - 60 Max Gallon Capacity



Dimensional Variance +/- 1/2 "  
Suggested Pump Access Panel:  
20" Long x 12" High



ADJUSTABLE JET

MOTOR/PUMP



OPTIONAL JET

S-1

SIDE IDENTIFICATION