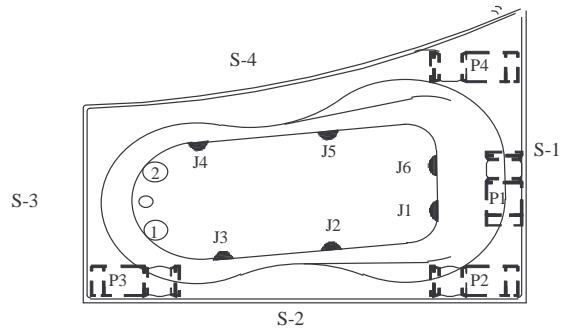
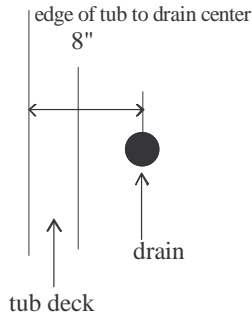
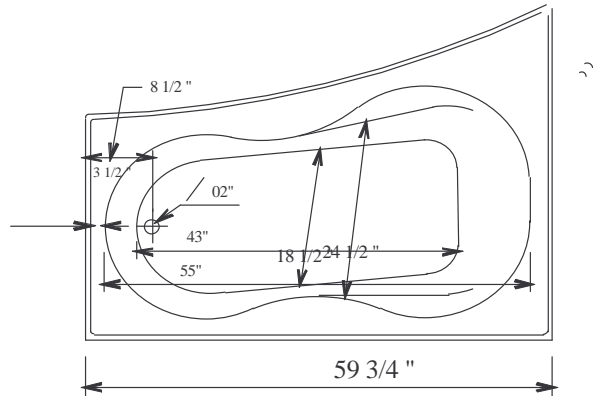
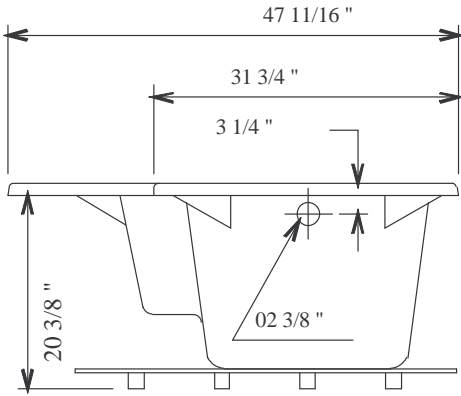


# trajet SPECIFICATIONS

## ST. CHARLES #60SWR



**Deluxe--1.25 HP Pump, 6 Jets**

**Ultimate--1.5 HP Pump, 8 Jets, Electronic Control, Mood Light**

Jets are placed two on each side

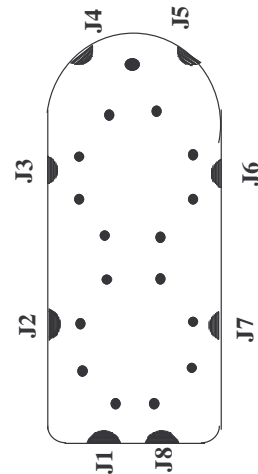
**Air System-- 120v Blower, 16 Air Jets, Electronic control**

Air jets are placed on bottom of tub in figure 8

**pattern** If tub equipped with Air System Add 1.5" to tub height

**Combo Systems:**

Blower will be placed same side as pump opposite end



50 Min - 70 Max Gallon Capacity

Dimensional Variance +/- 1/2 "  
Suggested Pump Access Panel:  
20" Long x 12" High



ADJUSTABLE JET



MOTOR/PUMP



OPTIONAL JET

S-1

SIDE IDENTIFICATION